

General Introduction of Explosion-proof Wall Air Conditioners

- ◆ For explosion-proof wall air conditioner, both single cooling and combined heating and cooling products in T1, T2, and T3 are available, to meet different requirements of low, medium and high temperature zones world wide.
- ◆ Explosion-proof wall air conditioner is developed on base of normal product of MITSUBISHI, Carrier, O GENERAL (FUJI) or GREE brands, by taking explosion-proof measures to indoor and outdoor units. Measures to outdoor unit: by taking special technics and control, conduct explosion-proof treatment to internal control units, compressor, outdoor fan motor, protective system, heat-removal system, cooling system, etc. Besides, explosion-proof control box and sensor system are coped with intrinsic safety. The outline dimensions and installation are the same as the original ones after explosion-proof treatment. Indoor unit: by taking special technics and control, dismantle internal electric control units and re-design to explosion-proof structure which enables separate explosion-proof control box. Remote controller and sensor system are coped with intrinsic safety. The outline dimensions and installation are the same as the original ones after explosion-proof treatment.
- ◆ Remote controller provides 3V intrinsic safety power through circuit boards within explosion-proof control box; without



need for battery and it is fixed directly on ex-control box, which facilitate operation.

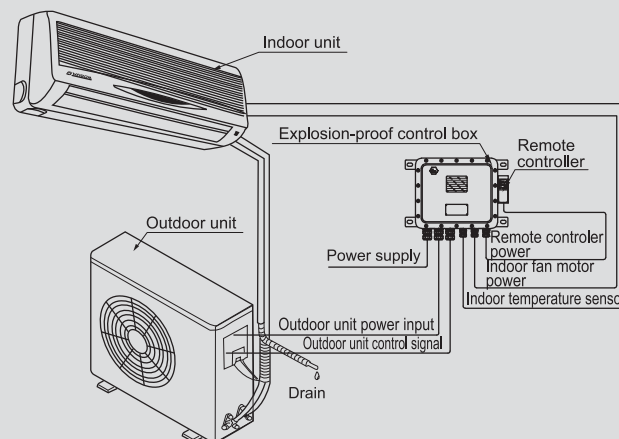
- ◆ Normally, rated voltage is AC220V/50Hz. other voltages are available, such as AC220V/60Hz, AC230V/50Hz, AC230V/60Hz, AC240V/50Hz, AC240V/60Hz etc. please specify when ordering.

Technical data

Explosion-proof wall air conditioners		BKF(R)-□ / □		
Explosion protection	Outdoor unit: BYS Compressor	Ex II 3 G Ex nC II 146°C(T3)	Whole unit: Ex nCd[ib] IIB 146°C	Ex d [ib] ibmnae IIB T4
	BZC Control station	Ex II 3 G Ex d IIB	Outdoor unit: Ex dnC IIB 146°C	Ex d [ib] ibnC IIB T4
Indoor unit:	BDJ-W Fan motor	Ex II 3 G Ex d IIB	Indoor unit: Ex d[ib] IIB T4	Ex de [ib] ibnC IIB T4
	BDJ-N Fan motor	Ex II 2 G Ex d IIB T4		Ex d [ib] ibmnae IIC
	BXK Control station	Ex II 2 G Ex d[ib] IIB T4		Ex d [ib] ibnC IIC T4
Certificates	LCIE 08 ATEX 6031 X		IECEX CQM 08.0017 X	PCEC(China)
Conformity to standards	EN 60079-0:2004, EN 60079-1:2004, EN60079-11:2007, EN 60079-15:2005 IEC60079-0:2004, IEC 60079-1:2003, IEC 60079-7:2001, IEC60079-11:2006, IEC60079-15:2005 IEC60079-18:2004			



Dimension drawings (all dimensions in mm) - subject to alteration



Technical data					
Type		BKF-25/220	BKFR-25/220	BKF-35/220	BKFR-35/220
Cooling capacity	W	2600	2600	3600	3600
	BTU	9000	9000	12000	12000
Heating capacity (W)		—	3000	—	4000
Rated voltage/Frequency (V/Hz)		220/50	220/50	220/50	220/50
Input power (P)		1P	1P	1.5P	1.5P
Cooling input power/current (W/A)		815/3.7	850/4.0	1130/5.4	1130/5.4
Heating input power/current (W/A)		—	790/3.7	—	1080/5.2
Application areas (m ²)		10 ~ 15	10 ~ 12	14 ~ 21	13 ~ 16
Sound level (dB)	Indoor unit	39	39	40	40
	Outdoor unit	47	47	49	49
Outline dimensions (L x W x H) (mm)	Indoor unit	815 x 311 x 271	815 x 311 x 271	815 x 311 x 271	815 x 311 x 271
	Outdoor unit	780 x 540 x 255	780 x 540 x 255	780 x 540 x 255	780 x 540 x 255
	Control box	420 x 350 x 178	420 x 350 x 178	420 x 350 x 178	420 x 350 x 178
Weight (kg)	Indoor unit	12	12	12	12
	Outdoor unit	35	44	44	44
	Control box	10	10	10	10

Type		BKF-50/220	BKFR-50/220	BKF-71/220	BKFR-71/220
Cooling capacity	W	5550	5550	7400	7400
	BTU	18000	18000	24000	24000
Heating capacity (W)		—	6200	—	8400
Rated voltage/Frequency (V/Hz)		220/50	220/50	220/50	220/50
Input power (P)		2P	2P	3P	3P
Cooling input power/current (W/A)		2060/9.6	2060/9.8	2650/12.2	2650/12.4
Heating input power/current (W/A)		—	1790/8.48	—	2770/13.0
Application areas (m ²)		24 ~ 36	22 ~ 27	29 ~ 48	27 ~ 34
Sound level (dB)	Indoor unit	43	43	44	44
	Outdoor unit	49	51	53	54
Outline dimensions (L x W x H) (mm)	Indoor unit	1100 x 358 x 294	1100 x 358 x 294	1100 x 358 x 294	1100 x 358 x 294
	Outdoor unit	860 x 655 x 330	860 x 655 x 330	860 x 655 x 330	860 x 655 x 330
	Control box	420 x 350 x 178	420 x 350 x 178	420 x 350 x 178	420 x 350 x 178
Weight (kg)	Indoor unit	16	16	16	16
	Outdoor unit	54	58	78	78
	Control box	10	10	10	10

Note: Technical data above for products of T1 rating. Please refer to user's guide for technical data of T2 rating or T3 rating products.



Accessories			
Image	Name	Application	Ordering code
 Explosion-proof indoor fan motor	BKF(R)-25/220 Explosion-proof indoor fan motor	T1, AC220V/50Hz	802001
		T2, AC220V/50Hz	802002
		T3, AC220V/50Hz	802003
	BKF(R)-35/220 Explosion-proof indoor fan motor	T1, AC220V/50Hz	802004
		T2, AC220V/50Hz	802005
		T3, AC220V/50Hz	802006
	BKF(R)-50/220 Explosion-proof indoor fan motor	T1, AC220V/50Hz	802007
		T2, AC220V/50Hz	802008
		T3, AC220V/50Hz	802009
	BKF(R)-71/220 Explosion-proof indoor fan motor	T1, AC220V/50Hz	802010
		T2, AC220V/50Hz	802011
		T3, AC220V/50Hz	802012
 Explosion-proof compressor	BKF(R)-25/220 Explosion-proof compressor	T1, AC220V/50Hz	802013
		T2, AC220V/50Hz	802014
		T3, AC220V/50Hz	802015
	BKF(R)-35/220 Explosion-proof compressor	T1, AC220V/50Hz	802016
		T2, AC220V/50Hz	802017
		T3, AC220V/50Hz	802018
	BKF(R)-50/220 Explosion-proof compressor	T1, AC220V/50Hz	802019
		T2, AC220V/50Hz	802020
		T3, AC220V/50Hz	802021
	BKF(R)-71/220 Explosion-proof compressor	T1, AC220V/50Hz	802022
		T2, AC220V/50Hz	802023
		T3, AC220V/50Hz	802024
 Explosion-proof outdoor fan motor	BKF(R)-25/220 Explosion-proof outdoor fan motor	T1, AC220V/50Hz	802025
		T2, AC220V/50Hz	802026
		T3, AC220V/50Hz	802027
	BKF(R)-35/220 Explosion-proof outdoor fan motor	T1, AC220V/50Hz	802028
		T2, AC220V/50Hz	802029
		T3, AC220V/50Hz	802030
	BKF(R)-50/220 Explosion-proof outdoor fan motor	T1, AC220V/50Hz	802031
		T2, AC220V/50Hz	802032
		T3, AC220V/50Hz	802033
	BKF(R)-71/220 Explosion-proof outdoor fan motor	T1, AC220V/50Hz	802034
		T2, AC220V/50Hz	802035
		T3, AC220V/50Hz	802036

