

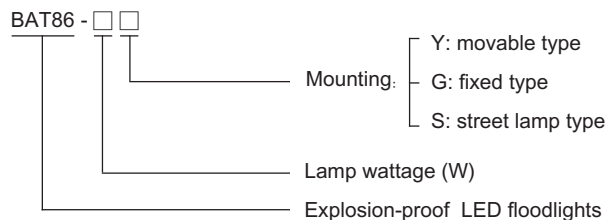


Floodlights

BAT86 Series Explosion-proof LED Floodlights

- ◆ Explosion protection to
 - CENELEC
 - IEC
 - NEC
- ◆ Can be used in
 - Zone 1 and Zone 2
 - Zone 21 and Zone 22
- ◆ Applicable lamp and wattage (max.120W):
 - LED lamps, energy-saving and long service life
 - 50W, 70W, 100W, 120W
- ◆ Isolated LED lamp compartment, CC-CV (constant current - constant voltage) power controller compartment, terminal compartment; wind-convection heat dissipation structure.

Catalogue number logic



Selection table

Type/Ordering code	Lamp wattage (W)	Weight (kg)	Type/Ordering code	Lamp wattage (W)	Weight (kg)	Type/Ordering code	Weight (kg)
BAT86-50G	50	10.80	BAT86-50S	50	11.20	BAT86-50Y	11.80
BAT86-70G	70	10.80	BAT86-70S	70	11.20	BAT86-70Y	11.80
BAT86-100G	100	10.80	BAT86-100S	100	11.20	BAT86-100Y	11.80
BAT86-120G	120	10.80	BAT86-120S	120	11.20	BAT86-120Y	11.80

Note: The product is supplied according to "Type/Ordering code" in the table with mounting accessories.

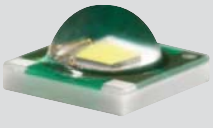


Zones 1&2; 21&22

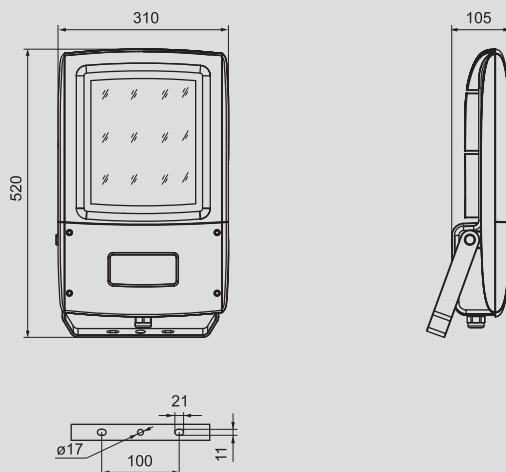
Technical data	
Explosion-proof LED floodlights BAT86-□□	
Explosion protection	⊕ II 2 GD Ex de IIC T5 Gb / Ex tD A21 T95°C IP66
Certificates	LCIE 11 ATEX____, FM (USA); GOST.R (Russia); IECEx
Conformity to standards	EN 60079-0:2009, EN 60079-1:2007, EN 60079-7:2007 EN 61241-0:2006, EN 61241-1:2004 IEC 60079-0:2007, IEC 60079-1:2007, IEC 60079-7:2006 IEC 61241-0:2004, IEC 61241-1:2004
Material	
Enclosure	Copper-free aluminium, powder coated external surface, rape yellow (RAL1021)
Glass cover	Toughened glass, stands 4J impact
Power controller	Wide voltage input, CC-CV (constant current - constant voltage) output, power factor ≥ 0.98, with function of distributed current, constant current, surge-proof and anti-electromagnetic interference, and protection against overcurrent, open circuit, and short circuit
Exposed fastener	Stainless steel
Lamp	
Lamp specification	CREE pural white LED modules
Lamp wattage(W)	50W, 70W, 100W, 120W
Rated voltage	187 ~ 265V AC 50/60Hz
Earthing protection	M5 (internal & external earth bolt)
Degree of protection	IP66
Ambient temperature	-40°C ~ +55°C
Terminal	3 x 1.5~4mm ² (L+N+PE)
Mounting	Street lamp type, movable type, fixed type Note: Fixed type can be used in horizontal type ceiling type, wall type, etc.
Cable entries	G3/4, (NPT3/4 or M25 x 1.5 with reducer on request.)
Cable gland	1 x G3/4" cable gland (DQM-I Ex e, carbon steel)
Applicable cable outer diameter	Ø10~Ø14 (mm)



Energy-saving description

Name	High pressure mercury lamp 250W	BAD85-120	 <p>Elaboration of pural white LED modules, unidirectional illumination, soft and balanced light, luminous efficiency>90lm/W, high colour rendering, long service life (50000h), environmental.</p>
Rated wattage (W)	250	120	
Working current (A)	2.15/220V	0.55/220V	
Power factor (cosφ)	0.40	0.95	
Effective luminous flux (lm)	10000	10800	
Service life (h)	15000	50000	
Energy-saving effect	Similar luminous flux, electricity saved by over 70%, LED lamp service life extended by over 3 times, less maintenance expense, and less electric energy loss.		

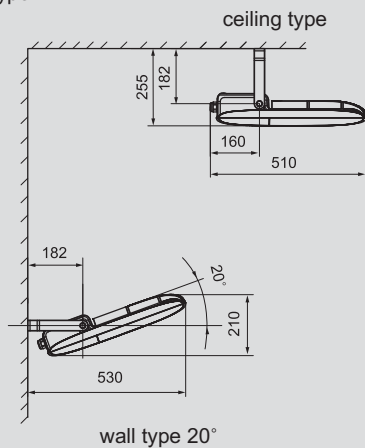
Dimension drawings (all dimensions in mm) - subject to alteration



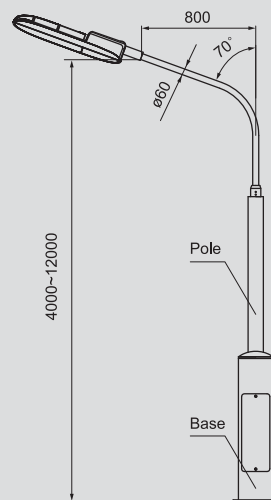
Mounting type

Installation reference

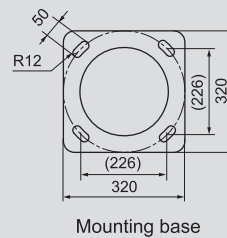
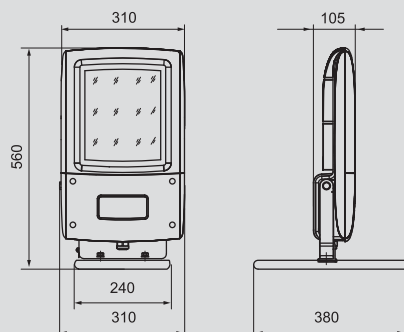
G: fixed type



S: street lamp type (the pole is provided by user)



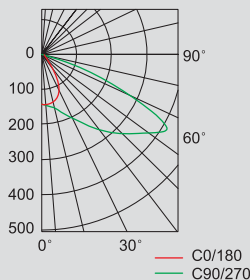
Y: movable type



Photometric data

Photometric data of BAT86-100G (BAT86-100Y)

Rated luminous flux:9000lm;
The data from CREE lamp;
Luminous intensity distribution cd/1000lm



50W LED lamp*0.5
70W LED lamp*0.7
120W LED lamp*1.2

— C0/180

Angle	CP
0	1260
5	1266
10	1274
15	1218
20	1090
25	910
30	666
35	436
40	255
45	125

— C90/270

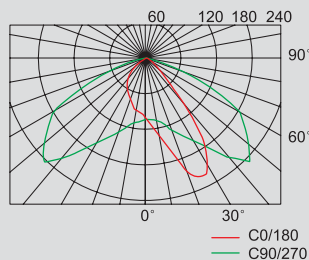
Angle	CP
50	68
55	55
60	48
65	50
70	35
75	25
80	15
85	0
90	0

Angle	CP
0	1259
5	1305
10	1351
15	1397
20	1493
25	1589
30	1685
35	1885
40	2085
45	2285

Angle	CP
50	2650
55	3015
60	3380
65	2265
70	1150
75	35
80	0
85	0
90	0

Photometric data of BAT86-100S

Rated luminous flux:9000lm;
The data from CREE lamp;
Luminous intensity distribution cd/1000lm



50W LED lamp*0.5
70W LED lamp*0.7
120W LED lamp*1.2

— C0/180

Angle	CP
0	910
5	845
10	800
15	756
20	690
25	635
30	575
35	540
40	460
45	390

— C90/270

Angle	CP
50	285
55	128
60	70
65	56
70	40
75	30
80	20
85	0
90	0

Angle	CP
0	908
5	950
10	995
15	1037
20	1160
25	1284
30	1407
35	1627
40	1848
45	2068

Angle	CP
50	1909
55	1735
60	1592
65	1071
70	550
75	30
80	0
85	0
90	0



We can provide lighting design and data by professional lighting software DIALUX based upon simulated site situation on request.

Accessories

Picture	Name	Ordering code	Weight (kg)
	Power controller 50W	86001	0.20
	Power controller 70W	86002	0.20
	Power controller 100W	86003	0.20
	Power controller 120W	86004	0.20
	LED Lamp module 50W	86005	0.01
	LED Lamp module 70W	86006	0.01
	LED Lamp module 100W	86007	0.01
	LED Lamp module 120W	86008	0.01