

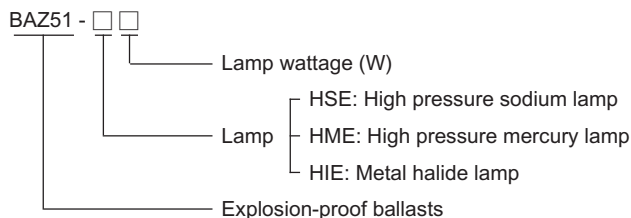


Ballasts

BAZ51 Series Explosion-proof Ballasts

- ◆ Explosion protection to
 - CENELEC
 - IEC
- ◆ Can be used in
 - Zone 1 and Zone 2
 - Zone 21 and Zone 22
- ◆ Applicable to lamp (max. 400W) of HIE, HSE and HME.
- ◆ Enclosure in copper-free aluminium, powder coated external surface, rape yellow (RAL1021).
- ◆ Choke ballast, rapid starting, stable performance.

Catalogue number logic



Selection table

Type/Ordering code	Available lamp wattage(W)	Weight (kg)	Enclosure	Type/Ordering code	Available lamp wattage(W)	Weight (kg)	Enclosure
BAZ51-HIE 70	HIE 70	7.15	I	BAZ51-HSE 150	HSE 150	8.10	I
BAZ51-HIE 100	HIE 100	7.75	I	BAZ51-HSE 250	HSE 250	8.95	II
BAZ51-HIE 150	HIE 150	8.05	I	BAZ51-HSE 400	HSE 400	10.65	II
BAZ51-HIE 175	HIE 175	8.10	I	BAZ51-HME 80	HME 80	7.10	I
BAZ51-HIE 250	HIE 250	8.10	I	BAZ51-HME 125	HME 125	7.75	I
BAZ51-HIE 400	HIE 400	10.70	II	BAZ51-HME 175	HME 175	8.10	I
BAZ51-HSE 70	HSE 70	7.15	I	BAZ51-HME 250	HME 250	8.00	I
BAZ51-HSE 100	HSE 100	7.75	I	BAZ51-HME 400	HME 400	10.65	II

Note: The power factor is more than 0.85 while equipped with compensation capacitor.



Zones 1&2; 21&22

Technical data

Explosion-proof ballasts

BAZ51-□□

Explosion protection

Gas explosion protection
Dust explosion protection

⊕ II 2 G Ex d IIB T6
Ex tD A21 T80°C IP65

Certificates

For gas explosion protection
For dust explosion protection

LCIE 06 ATEX 6019; IECEx LCI 08. 0002
PCEC (China)

Conformity to standards

EN 60079-0:2004, EN 60079-1:2004
IEC 60079-0:2004, IEC 60079-1:2003, IEC 61241-0:2004, IEC 61241-1:2004

Material

Enclosure
Exposed fastener

Copper-free aluminium, powder coated external surface, rape yellow (RAL1021)
Stainless steel

Available lamp

High pressure sodium lamp (HSE): 70W, 100W, 150W, 250W, 400W
High pressure mercury lamp (HME): 80W, 125W, 175W, 250W, 400W
Metal halide lamp (HIE): 70W, 100W, 150W, 175W, 250W, 400W

Rated voltage

Note: HPI European standard ballast is available in general
220 ~ 240V AC 50Hz (60Hz is optional)

Note: other voltage on request.

Earthing protection

Degree of protection

Ambient temperature

Terminal

Cable entries

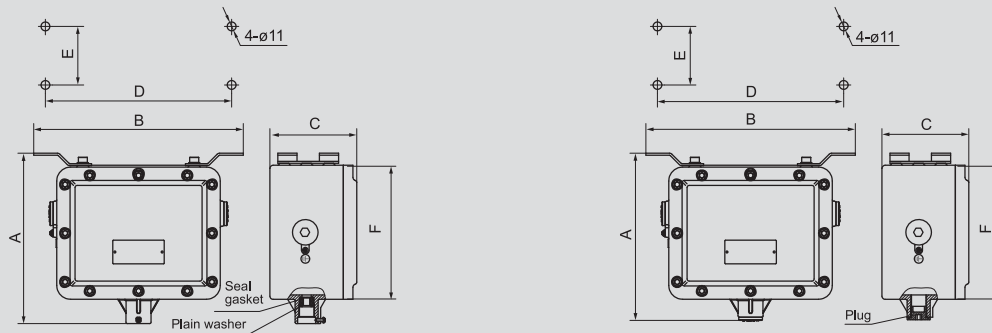
M5 (internal & external earth bolt)
IP65
-20°C ~ +55°C
3 x 1.5 ~ 2.5mm² (L+N+PE)
3 x M25 x 1.5 Plug for independent type
2 x M25 x 1.5 Plug for block type

With seal gasket and plain washer at bottom entries

Cable gland (optional)

DQM-II (Ex d) or DQM-III (Ex d) is recommended. Please see P7/20 ~ 25.

Dimension drawings (all dimensions in mm) - subject to alteration

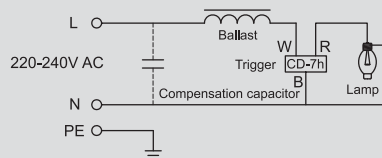


Enclosure	Size (mm)					
	A	B	C	D	E	F
I	245	301	135	265	65	190
II	265	331	140	295	65	210

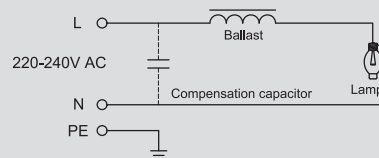
Enclosure	Size (mm)					
	A	B	C	D	E	F
I	240	301	135	265	65	190
II	250	331	140	295	65	210

Outline 1(For block mounting, for example: used for series BAD) Outline 2(For independent mounting, for example: used for series BAT51-400)

Schematic diagram of light fittings and ballasts



Schematic diagram 1 (For HSE or HIE)



Schematic diagram 2 (For HME)

