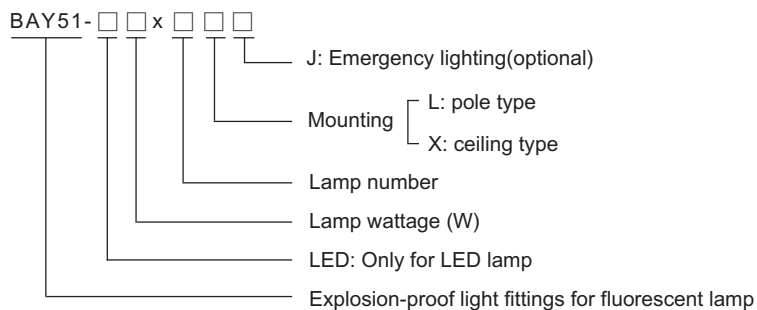




Light Fittings for Fluorescent Lamp BAY51 Series Explosion-proof Light Fittings for Fluorescent Lamp

- ◆ Explosion protection to
 - CENELEC
 - IEC
 - NEC
- ◆ Can be used in
 - Zone 1 and Zone 2
 - Zone 21 and Zone 22
- ◆ Single or dual lamp versions
- ◆ Available lamp and wattage
 - Fluorescent lamps: 18W x 1, 36W x 1, 58W x 1,
18W x 2, 36W x 2, 58W x 2.
 - LED lamps: 9W x 1, 9W x 2, 18W x 1, 18W x 2.
- ◆ The glass tube stands 4J impact.
- ◆ Enclosure in copper-free aluminium, powder coated external surface, rape yellow (RAL1021).
- ◆ Electronic ballast, wide voltage range, rapid starting, stable performance, power factor ≥ 0.95 .
- ◆ End of lamp life (EOL) rectification effect protection.
- ◆ Only fluorescent lamp with emergency lighting function, LED lamp without such function.

Catalogue number logic



Zones 1&2; 21&22

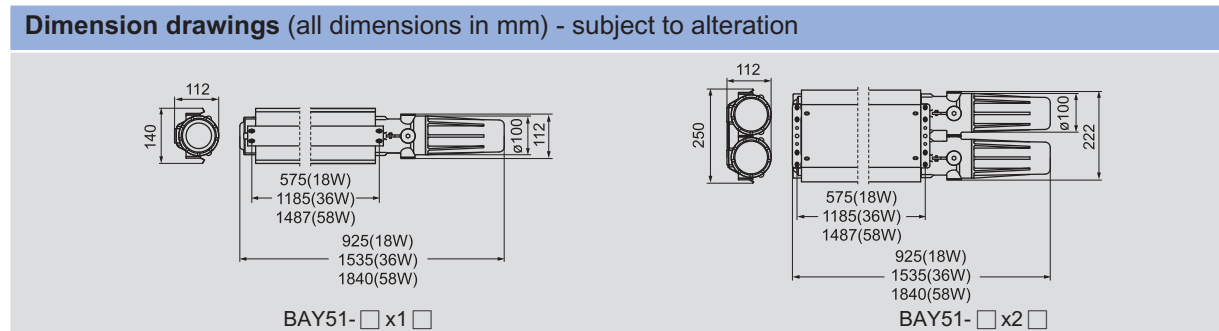
Light Fittings for Fluorescent Lamp BAY51 Series Explosion-proof Light Fittings for Fluorescent Lamp

Technical data							
Explosion-proof light fittings for fluorescent lamp BAY51-□ x □□							
Explosion protection	⊕ II 2 G Ex d IIC T6 Gb						
Gas explosion protection							
Certificates	LCIE 09 ATEX 3046; FM (USA); GOST.R (Russia); IECEx						
For gas explosion protection	EN 60079-0:2007, EN 60079-1:2007						
Conformity to standards	IEC 60079-0:2007, IEC 60079-1:2007						
Material							
Enclosure	Copper-free aluminium, powder coated external surface, rape yellow (RAL1021)						
Glass tube	Toughened glass, stands 4J impact						
Ballast	Electronic ballast						
Wire guard (optional)	Powder coated carbon steel (white) or stainless steel						
Exposed fastener	Stainless steel						
Lamp							
Lamp brand	PHILIPS T8 (supplied with the light fittings)						
Lamp wattage (W)	<table border="1"> <tr> <td>18W x 1</td> <td>18W x 2</td> </tr> <tr> <td>36W x 1</td> <td>36W x 2</td> </tr> <tr> <td>58W x 1</td> <td>58W x 2</td> </tr> </table>	18W x 1	18W x 2	36W x 1	36W x 2	58W x 1	58W x 2
18W x 1	18W x 2						
36W x 1	36W x 2						
58W x 1	58W x 2						
Rated voltage	220~240V AC 50/60Hz						
Earthing protection	M5 (internal & external earth bolt)						
Degree of protection	IP66						
Ambient temperature	-20°C ~ +55°C						
Terminal	3 x 1.5~4mm ² (L+N+PE)						
Cable entries							
Single lamp	3 x M25 x 1.5 Plug						
Dual lamp	4 x M25 x 1.5 Plug						
Cable gland (optional)	DQM-II (Ex d) or DQM-III (Ex d) is recommended. Please see P7/20~25.						



Selection table					
Type/Ordering code	Lamp wattage (W)	Weight (kg)	Type/Ordering code	Lamp wattage (W)	Weight (kg)
BAY51-18 x 1X	18 x 1	5.60	BAY51-18 x 2X	18 x 2	10.60
BAY51-18 x 1L	18 x 1	6.50	BAY51-18 x 2L	18 x 2	11.55
BAY51-36 x 1X	36 x 1	8.80	BAY51-36 x 2X	36 x 2	16.30
BAY51-36 x 1L	36 x 1	9.30	BAY51-36 x 2L	36 x 2	16.85
BAY51-58 x 1X	58 x 1	10.40	BAY51-58 x 2X	58 x 2	18.30
BAY51-58 x 1L	58 x 1	10.85	BAY51-58 x 2L	58 x 2	19.20

Note: Products above include all the mounting accessories listed in Mounting Accessories & Spare Parts Table (see P2/18~19).



Technical data

Explosion-proof emergency light fittings for fluorescent lamp

BAY51-□ x □□ J

Explosion protection

Ⓔ II 2 GD Ex d IIC T6 Gb / Ex tD A21 T80°C IP66

Certificates

LCIE 11 ATEX____; FM (USA); GOST.R (Russia); IECEx

Conformity to standards

EN 60079-0:2009, EN 60079-1:2007, EN 61241-0:2006, EN 61241-1:2004
IEC 60079-0:2007, IEC 60079-1:2007, IEC 61241-0:2004, IEC 61241-1:2004

Material

Enclosure

Copper-free aluminium, powder coated external surface, rape yellow (RAL1021)

Glass tube

Toughened glass, stands 4J impact

Emergency unit

Special emergency controller and NI-MH battery pile, with protection against over charge and over discharge

Ballast

Electronic ballast

Wire guard (optional)

Powder coated carbon steel (white) or stainless steel

Exposed fastener

Stainless steel

Lamp

Lamp brand

PHILIPS T8 (supplied with the light fittings)

Lamp wattage (W)

18W x 2, 36W x 2, 58W x 2

Emergency wattage (W)

18W x 1, 36W x 1, 58W x 1

Emergency start time

0.3s

Charge time

24h

Emergency lighting time

120min (180 min is optional)

Rated voltage

220~240V AC 50/60Hz

Earthing protection

M5 (internal & external earth bolt)

Degree of protection

IP66

Ambient temperature

-60°C ~ +55°C

Terminal

3 x 1.5~4mm² (L+N+PE)

Cable entries

2 x M25 x 1.5 Plug

Cable gland (optional)

DQM-II (Ex d) or DQM-III (Ex d) is recommended. Please see P7/20~25.

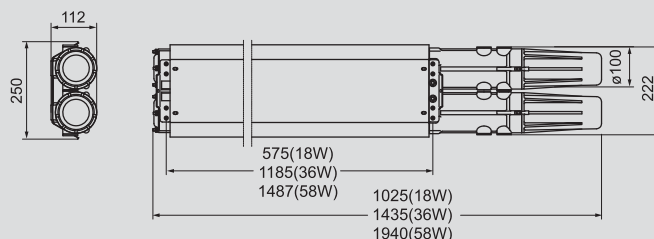


Selection table

Type/Ordering code	Lamp wattage(W)	Weight(kg)	Type/Ordering code	Lamp wattage(W)	Weight(kg)
BAY51-18 x 2XJ	18 x 2	12.80	BAY51-36 x 2LJ	36 x 2	19.50
BAY51-18 x 2LJ	18 x 2	13.50	BAY51-58 x 2XJ	58 x 2	20.60
BAY51-36 x 2XJ	36 x 2	18.60	BAY51-58 x 2LJ	58 x 2	21.50

Note: Products above include all the mounting accessories listed in Mounting Accessories & Spare Parts Table (see P2/19).

Dimension drawings (all dimensions in mm) - subject to alteration



BAY51-□ x2 □ J

Light Fittings for Fluorescent Lamp BAY51 Series Explosion-proof Light Fittings for Fluorescent Lamp

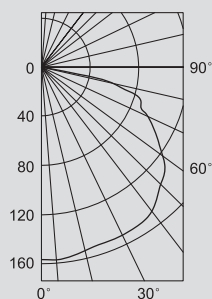
Photometric data (BAY51-□ x □□, BAY51-□ x □□□ J)

18W x 1 photometric data

Rated luminous flux:1050lm;

The data from PHILIPS lamp;

Luminous intensity distribution cd/1000lm



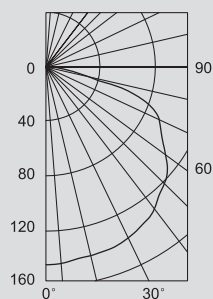
Angle	CP	Angle	CP
0	164	50	133
5	163	55	120
10	161	60	110
15	160	65	99
20	160	70	90
25	160	75	70
30	160	80	28
35	159	85	0
40	149	90	0
45	144		

18W x 2 photometric data

Rated luminous flux:2100lm;

The data from PHILIPS lamp;

Luminous intensity distribution cd/1000lm



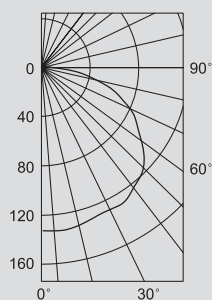
Angle	CP	Angle	CP
0	335	50	274
5	334	55	252
10	330	60	232
15	327	65	211
20	325	70	177
25	323	75	110
30	317	80	48
35	310	85	0
40	297	90	0
45	286		

36W x 1 photometric data

Rated luminous flux:2500lm;

The data from PHILIPS lamp;

Luminous intensity distribution cd/1000lm



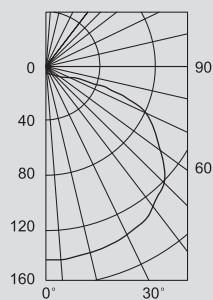
Angle	CP	Angle	CP
0	333	50	280
5	331	55	249
10	330	60	223
15	328	65	188
20	324	70	163
25	324	75	119
30	324	80	72
35	318	85	0
40	306	90	0
45	297		

36W x 2 photometric data

Rated luminous flux:5000lm;

The data from PHILIPS lamp;

Luminous intensity distribution cd/1000lm



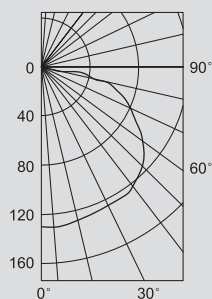
Angle	CP	Angle	CP
0	698	50	577
5	699	55	532
10	694	60	480
15	687	65	428
20	686	70	362
25	683	75	258
30	675	80	137
35	657	85	0
40	628	90	0
45	604		

58W x 1 photometric data

Rated luminous flux:4000lm;

The data from PHILIPS lamp;

Luminous intensity distribution cd/1000lm



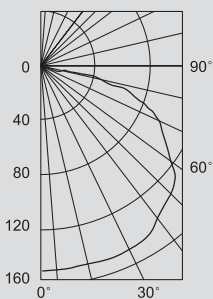
Angle	CP	Angle	CP
0	518	50	416
5	516	55	377
10	510	60	349
15	505	65	315
20	498	70	279
25	495	75	220
30	492	80	143
35	481	85	0
40	462	90	0
45	447		

58W x 2 photometric data

Rated luminous flux:8000lm;

The data from PHILIPS lamp;

Luminous intensity distribution cd/1000lm



Angle	CP	Angle	CP
0	1103	50	913
5	1101	55	827
10	1095	60	748
15	1088	65	668
20	1088	70	552
25	1082	75	400
30	1062	80	249
35	1027	85	0
40	984	90	0
45	951		



We can provide lighting design and data by professional lighting software DIALUX based upon simulated site situation on request.

Technical data

Explosion-proof LED light fittings for fluorescent lamp

BAY51-LED □ x □ □

Explosion protection

⊕ II 2 GD Ex d IIC T6 Gb / Ex tD A21 T80°C IP66

Certificates

DNV 11 ATEX____; FM (USA); GOST.R (Russia); IECEx

Conformity to standards

EN 60079-0:2009, EN 60079-1:2007, EN 61241-0:2006, EN 61241-1:2004
IEC 60079-0:2007, IEC 60079-1:2007, IEC 61241-0:2004, IEC 61241-1:2004

Material

Enclosure

Copper-free aluminium, powder coated external surface, rape yellow (RAL1021).

Glass tube

Toughened glass, stands 4J impact.

Power controller

Wide voltage input, CC-CV (constant current - constant voltage) output, power factor ≥ 0.98 , with function of distributed current, constant current, surge-proof and anti-electromagnetic interference, and protection against overcurrent, open circuit, and short circuit.

Wire guard (optional)

Powder coated carbon steel (white) or stainless steel

Exposed fastener

Stainless steel

Lamp

Lamp specification

CREE pural white LED modules (supplied with the light fittings)

Lamp wattage (W)

9W x 1, 9W x 2, 18W x 1, 18W x 2

Rated voltage

110~265V AC, 50/60Hz.

Earthing protection

M5 (internal & external earth bolt)

Degree of protection

IP66

Ambient temperature

-40°C ~ +55°C

Terminal

3 x 1.5~4mm² (L+N+PE)

Mounting

Ceiling type, pole type

Cable entries

Single lamp

3 x M25 x 1.5 Plug

Dual lamp

4 x M25 x 1.5 Plug

Cable gland

DQM-II (Ex d) or DQM-III (Ex d) is recommended. Please see P7/20~25.

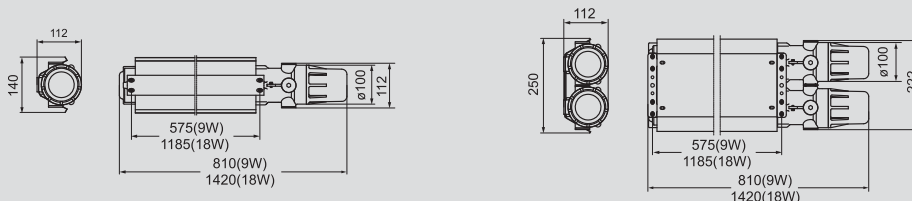


Selection table

Type/Ordering code	Lamp wattage(W)	Weight(kg)	Type/Ordering code	Lamp wattage(W)	Weight(kg)
BAY51-LED 9 x 1X	9 x 1	5.50	BAY51-LED 18 x 1X	18 x 1	8.30
BAY51-LED 9 x 1L	9 x 1	5.90	BAY51-LED 18 x 1L	18 x 1	8.35
BAY51-LED 9 x 2X	9 x 2	9.80	BAY51-LED 18 x 2X	18 x 2	15.70
BAY51-LED 9 x 2L	9 x 2	10.50	BAY51-LED 18 x 2L	18 x 2	16.40

Note: Products above include all the mounting accessories listed in Mounting Accessories & Spare Parts Table (see P2/18-19).


Dimension drawings (all dimensions in mm) - subject to alteration



BAY51-LED □ x1 □

BAY51-LED □ x2 □

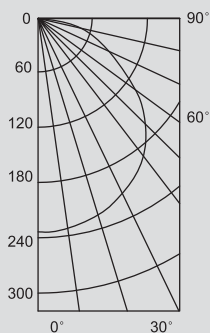
Comparison between LED fluorescent lamp and T8 standard fluorescent lamp

Name	Standard fluorescent lamp 36W	LED fluorescent lamp	
Rated wattage (W)	36	18	
Working current (A)	0.17/220V	0.096/220V	
Power factor (cosφ)	0.95	0.98	
Effective luminous flux (lm)	1250	1620	
Service life (h)	13000	50000	
Energy-saving effect	Similar luminous flux, electricity saved by over 55%, LED lamp service life extended by 4 times, less maintenance expense, and less electric energy loss.		

Photometric data (BAY51-LED □ x □ □)

9W x 1 photometric data

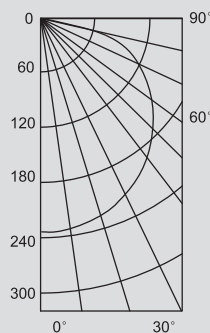
Rated luminous flux:810lm;
The data from CREE lamp;
Luminous intensity distribution cd/1000lm



Angle	CP	Angle	CP
0	188	50	121
5	187	55	112
10	182	60	102
15	176	65	95
20	170	70	72
25	165	75	47
30	154	80	22
35	143	85	0
40	137	90	0
45	132		

9W x 2 photometric data

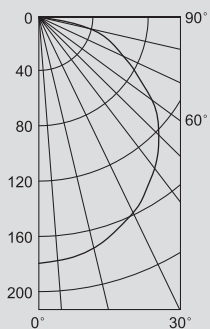
Rated luminous flux:1620lm;
The data from CREE lamp;
Luminous intensity distribution cd/1000lm



Angle	CP	Angle	CP
0	377	50	244
5	375	55	220
10	370	60	198
15	361	65	173
20	352	70	143
25	338	75	104
30	324	80	10
35	306	85	0
40	287	90	0
45	264		

18W x 1 photometric data

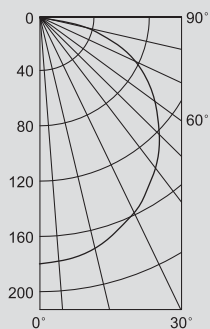
Rated luminous flux:1620lm;
The data from CREE lamp;
Luminous intensity distribution cd/1000lm



Angle	CP	Angle	CP
0	294	50	204
5	294	55	187
10	292	60	167
15	287	65	158
20	280	70	107
25	273	75	77
30	262	80	45
35	250	85	0
40	237	90	0
45	222		

18W x 2 photometric data

Rated luminous flux:3240lm;
The data from CREE lamp;
Luminous intensity distribution cd/1000lm



Angle	CP	Angle	CP
0	593	50	396
5	592	55	360
10	586	60	314
15	576	65	259
20	561	70	219
25	542	75	169
30	520	80	97
35	493	85	0
40	464	90	0
45	431		



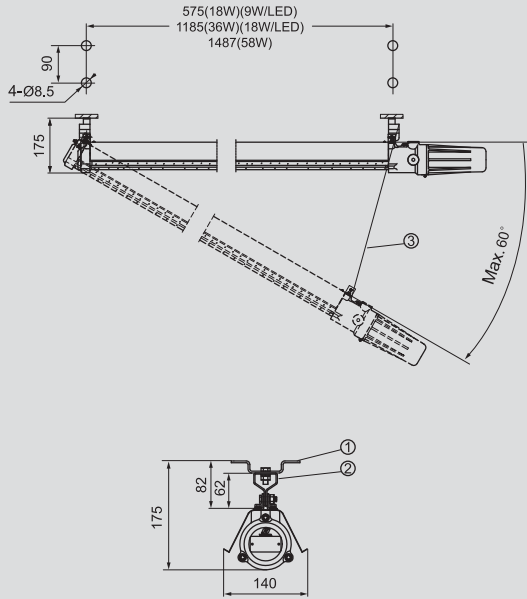
We can provide lighting design and data by professional lighting software DIALUX based upon simulated site situation on request.

Light Fittings for Fluorescent Lamp BAY51 Series Explosion-proof Light Fittings for Fluorescent Lamp

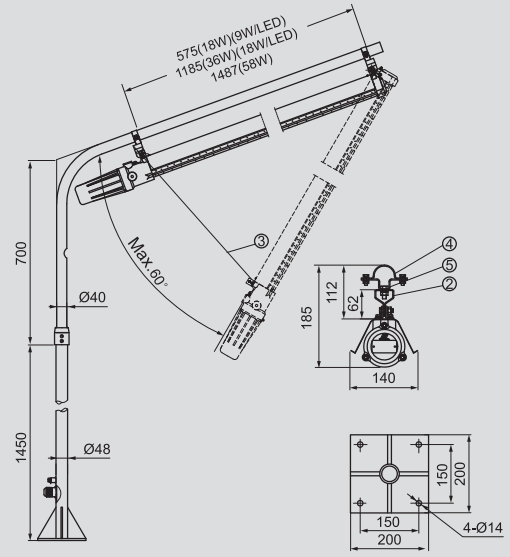
Mounting type for light fittings with single lamp tube (all dimensions in mm) - subject to alteration

Installation reference

X: ceiling type



L: pole type (the pole is provided by user)



Mounting accessories and spare parts table (light fittings with single lamp tube)

Supplied according to the mounting type

Mounting type	Accessories			Ordering code	Weight (kg)
	Name	Qty	Illustration		
X: ceiling type	①. Mounting bracket	2		5136030	0.06
	②. Connector	2		51S01X1	0.04
	③. Steel wire rope (with hook)	1	Length: 0.7m (18W), 1.3m (36W), 1.6m (58W)	51S01X2	0.30~0.50
L: pole type	④. G1 1/4" Pipe clamp	2		5136014	0.04
	⑤. Mounting bracket	2		5136012	0.04
	②. Connector	2	Same as ceiling type	51S01X1	0.04
	③. Steel wire rope (with hook)	1	Same as ceiling type	51S01X2	0.30~0.50

Note: Accessories not in the table shall be supplied by user.

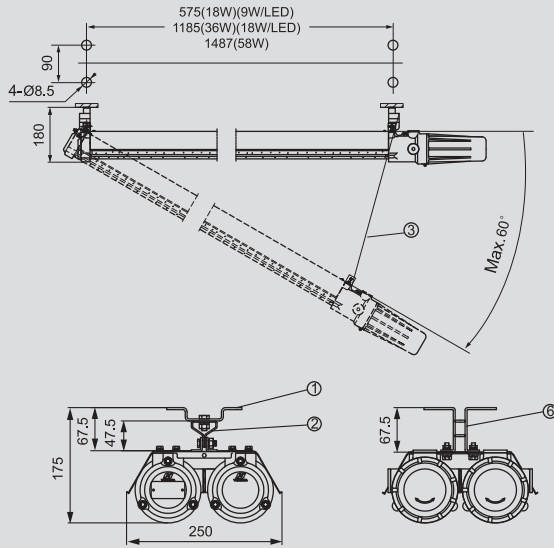
Light Fittings for Fluorescent Lamp BAY51 Series Explosion-proof Light Fittings for Fluorescent Lamp

2

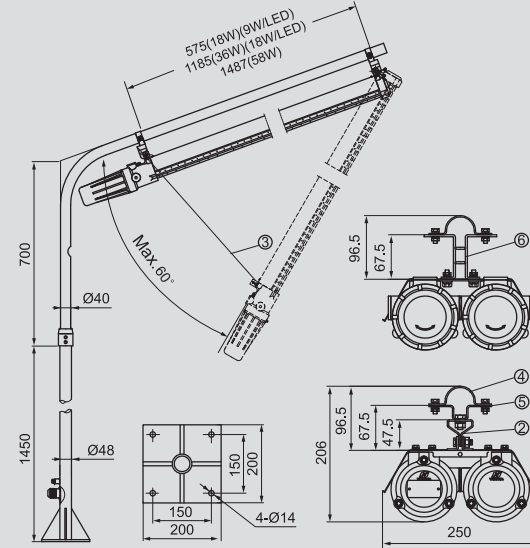
Mounting type for light fittings with dual lamp tube (all dimensions in mm) - subject to alteration

Installation reference

X: ceiling type



L: pole type (the pole is provided by user)



Mounting accessories and spare parts table (light fittings with dual lamp tube)

Supplied according to the mounting type

Mounting type	Accessories			Ordering code	Weight (kg)
	Name	Qty	Illustration		
X: ceiling type	①.Mounting bracket	1		5136030	0.04
	②.Connector	1		51S01X1	0.04
	③.Steel wire rope (with hook)	1	Length: 0.7m (18W), 1.3m (36W), 1.6m (58W)	51S01X2	0.30~0.50
	⑥.Mounting bracket	1		51D01X3	0.13
L: pole type	④.G1 1/4" Pipe clamp	2		5136014	0.04
	⑤.Mounting bracket	1		5136012	0.04
	②.Connector	2	Same as ceiling type	51S01X1	0.04
	③.Steel wire rope (with hook)	1	Same as ceiling type	51S01X2	0.30~0.50
	⑥.Mounting bracket	1	Same as ceiling type	51D01X3	0.13

Note: Accessories not in the table shall be supplied by user.

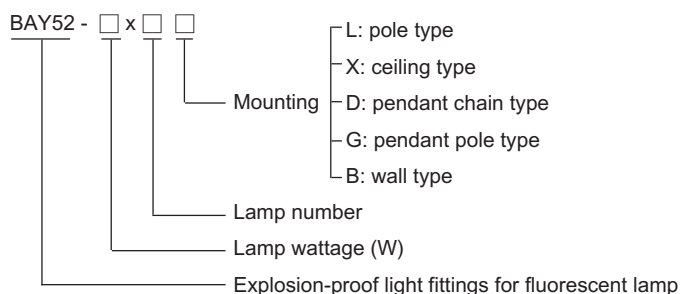




Light Fittings for Fluorescent Lamp BAY52 Series Explosion-proof Light Fittings for Fluorescent Lamp

- ◆ Explosion protection to
 - CENELEC
 - IEC
- ◆ Can be used in
 - Zone 1 and Zone 2
- ◆ Available lamp wattage: 18W x 1, 36W x 1, 18W x 2, 36W x 2.
- ◆ Enclosure in copper-free aluminium, powder coated external surface, rape yellow (RAL1021).

Catalogue number logic



Selection table

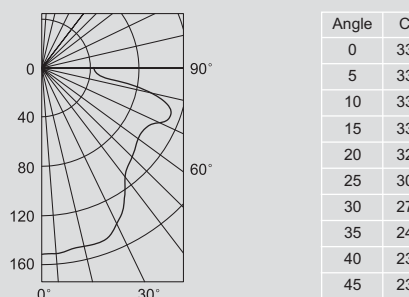
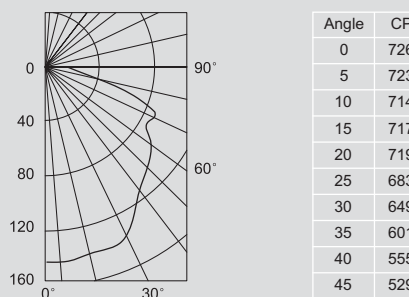
Type/Ordering code	Lamp wattage (W)	Weight (kg)	Type/Ordering code	Lamp wattage (W)	Weight (kg)
BAY52-18 x 1X	18 x 1	3.90	BAY52-18 x 2X	18 x 2	7.60
BAY52-18 x 1L	18 x 1	4.00	BAY52-18 x 2L	18 x 2	7.30
BAY52-18 x 1D	18 x 1	4.20	BAY52-18 x 2G	18 x 2	7.90
BAY52-18 x 1G	18 x 1	4.20	BAY52-18 x 2B	18 x 2	8.50
BAY52-36 x 1X	36 x 1	4.80	BAY52-36 x 2X	36 x 2	12.00
BAY52-36 x 1L	36 x 1	5.00	BAY52-36 x 2L	36 x 2	11.70
BAY52-36 x 1D	36 x 1	5.10	BAY52-36 x 2G	36 x 2	12.50
BAY52-36 x 1G	36 x 1	5.10	BAY52-36 x 2B	36 x 2	12.40

Note: 1. Products above include all the mounting accessories listed in Mounting Accessories & Spare Parts Table (see P2/22~23).
2. Wall type is applicable for dual-lamp light fitting only.
3. Pendant chain type is applicable for single-lamp light fitting only.

Zones 1&2

Technical data					
Explosion-proof light fittings for fluorescent lamp BAY52 □ - □□					
Explosion protection	⊕ II 2 G Ex d IIC T6				
Gas explosion protection					
Certificates					
For gas explosion protection	PCEC (China)				
Conformity to standards	IEC 60079-0:2004, IEC 60079-1:2003				
Material					
Enclosure	Copper-free aluminium, powder coated external surface, rape yellow (RAL1021)				
Ballast	Choke ballast (Electronic ballast is optional)				
Exposed fastener	Stainless steel				
Lamp					
Lamp brand	PHILIPS T8 (supplied with the light fittings)				
Lamp wattage (W)	<table border="1"> <tr> <td>18W x 1</td> <td>18W x 2</td> </tr> <tr> <td>36W x 1</td> <td>36W x 2</td> </tr> </table>	18W x 1	18W x 2	36W x 1	36W x 2
18W x 1	18W x 2				
36W x 1	36W x 2				
Rated voltage					
Choke ballast	220~240V AC 50Hz (60Hz is optional)				
Electronic ballast (optional)	220~240V AC 50/60Hz				
Earthing protection	M5 (internal & external earth bolt)				
Degree of protection	IP65				
Ambient temperature	-20°C ~ +55°C				
Terminal	3 x 1.5~2.5mm ² (L+N+PE)				
Cable entries	1 x G3/4" (1 x M25 x 1.5 for pole type dual-lamp light fittings; M25 x 1.5 or M20 x 1.5 with reducer on request)				
Cable gland	See Mounting Accessories and Spare Parts Table				
Available cable outer diameter	Ø10~Ø14 (mm)				



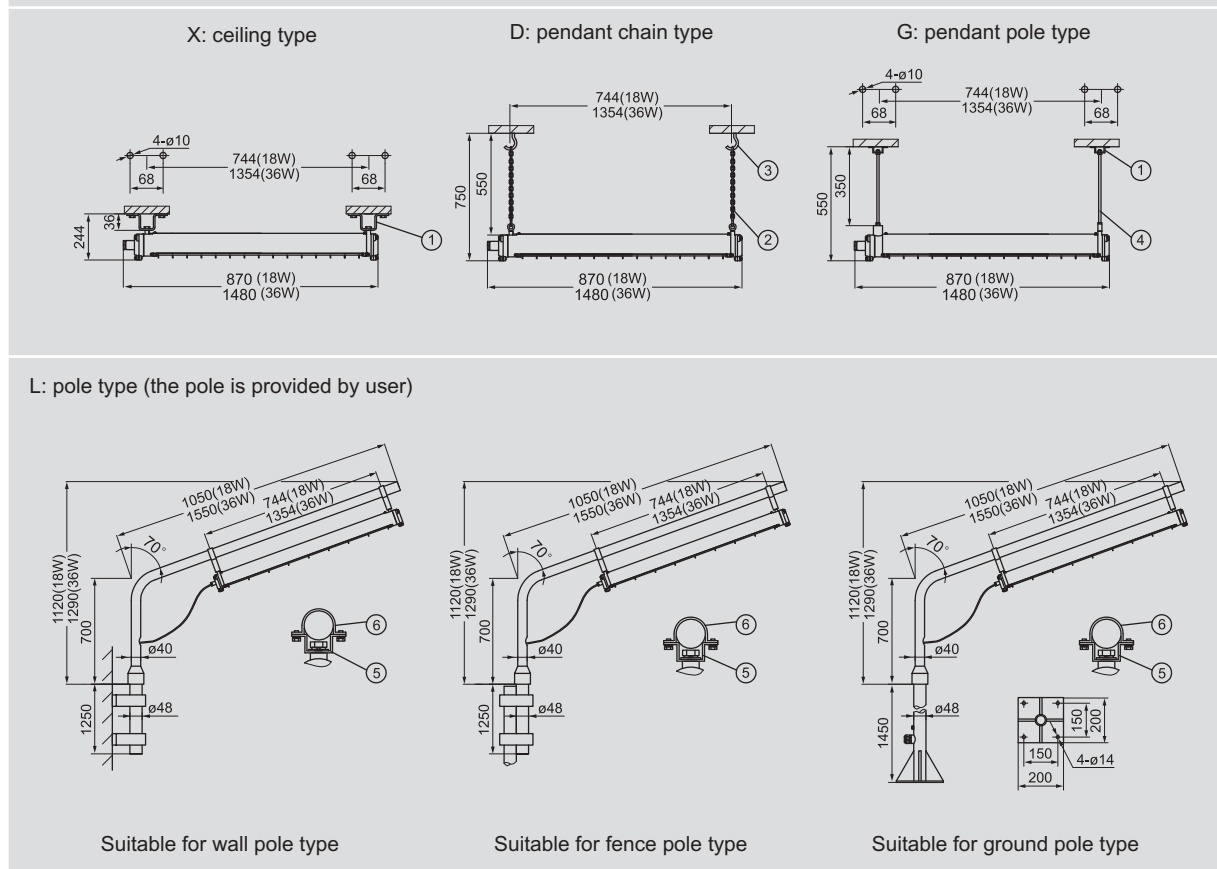
Photometric data																																																																																									
<p>36W x 1 photometric data</p> <p>Rated luminous flux:2500lm; The data from PHILIPS lamp; Luminous intensity distribution cd/1000lm</p>  <table border="1"> <thead> <tr> <th>Angle</th> <th>CP</th> <th>Angle</th> <th>CP</th> </tr> </thead> <tbody> <tr><td>0</td><td>335</td><td>50</td><td>222</td></tr> <tr><td>5</td><td>334</td><td>55</td><td>219</td></tr> <tr><td>10</td><td>330</td><td>60</td><td>229</td></tr> <tr><td>15</td><td>331</td><td>65</td><td>254</td></tr> <tr><td>20</td><td>325</td><td>70</td><td>264</td></tr> <tr><td>25</td><td>304</td><td>75</td><td>237</td></tr> <tr><td>30</td><td>277</td><td>80</td><td>143</td></tr> <tr><td>35</td><td>249</td><td>85</td><td>95</td></tr> <tr><td>40</td><td>236</td><td>90</td><td>84</td></tr> <tr><td>45</td><td>230</td><td></td><td></td></tr> </tbody> </table> <p>18W x 1 fluorescent lamp*0.5</p>	Angle	CP	Angle	CP	0	335	50	222	5	334	55	219	10	330	60	229	15	331	65	254	20	325	70	264	25	304	75	237	30	277	80	143	35	249	85	95	40	236	90	84	45	230			<p>36W x 2 photometric data</p> <p>Rated luminous flux:5000lm; The data from PHILIPS lamp; Luminous intensity distribution cd/1000lm</p>  <table border="1"> <thead> <tr> <th>Angle</th> <th>CP</th> <th>Angle</th> <th>CP</th> </tr> </thead> <tbody> <tr><td>0</td><td>726</td><td>50</td><td>505</td></tr> <tr><td>5</td><td>723</td><td>55</td><td>480</td></tr> <tr><td>10</td><td>714</td><td>60</td><td>438</td></tr> <tr><td>15</td><td>717</td><td>65</td><td>438</td></tr> <tr><td>20</td><td>719</td><td>70</td><td>382</td></tr> <tr><td>25</td><td>683</td><td>75</td><td>260</td></tr> <tr><td>30</td><td>649</td><td>80</td><td>160</td></tr> <tr><td>35</td><td>601</td><td>85</td><td>107</td></tr> <tr><td>40</td><td>555</td><td>90</td><td>63</td></tr> <tr><td>45</td><td>529</td><td></td><td></td></tr> </tbody> </table> <p>18W x 2 fluorescent lamp*0.5</p>	Angle	CP	Angle	CP	0	726	50	505	5	723	55	480	10	714	60	438	15	717	65	438	20	719	70	382	25	683	75	260	30	649	80	160	35	601	85	107	40	555	90	63	45	529		
Angle	CP	Angle	CP																																																																																						
0	335	50	222																																																																																						
5	334	55	219																																																																																						
10	330	60	229																																																																																						
15	331	65	254																																																																																						
20	325	70	264																																																																																						
25	304	75	237																																																																																						
30	277	80	143																																																																																						
35	249	85	95																																																																																						
40	236	90	84																																																																																						
45	230																																																																																								
Angle	CP	Angle	CP																																																																																						
0	726	50	505																																																																																						
5	723	55	480																																																																																						
10	714	60	438																																																																																						
15	717	65	438																																																																																						
20	719	70	382																																																																																						
25	683	75	260																																																																																						
30	649	80	160																																																																																						
35	601	85	107																																																																																						
40	555	90	63																																																																																						
45	529																																																																																								

We can provide lighting design and data by professional lighting software DIALUX based upon simulated site situation on request.

Light Fittings for Fluorescent Lamp BAY52 Series Explosion-proof Light Fittings for Fluorescent Lamp

Mounting type for light fittings with single lamp tube (all dimensions in mm) - subject to alteration

Installation reference



Mounting accessories and spare parts table (light fittings with single lamp tube)

Supplied according to the mounting type

Mounting type	Accessories			Ordering code	Weight (kg)
	Name	Qty	Illustration		
X: ceiling type	①.Mounting bracket	2		51S01G1	0.04
	②.Chain	2	Length: 450mm	5136016	0.08
D: pendant chain type	③.Hook expansion bolt	2		52017	0.03
	④.M8 Screw	2	Length: 350mm	51S01G2	0.12
L: pole type	⑤.Mounting bracket	2		5136012	0.04
	⑥.G1 1/4" Pipe clamp	2		5136014	0.04

Note: Accessories not in the table shall be supplied by user.

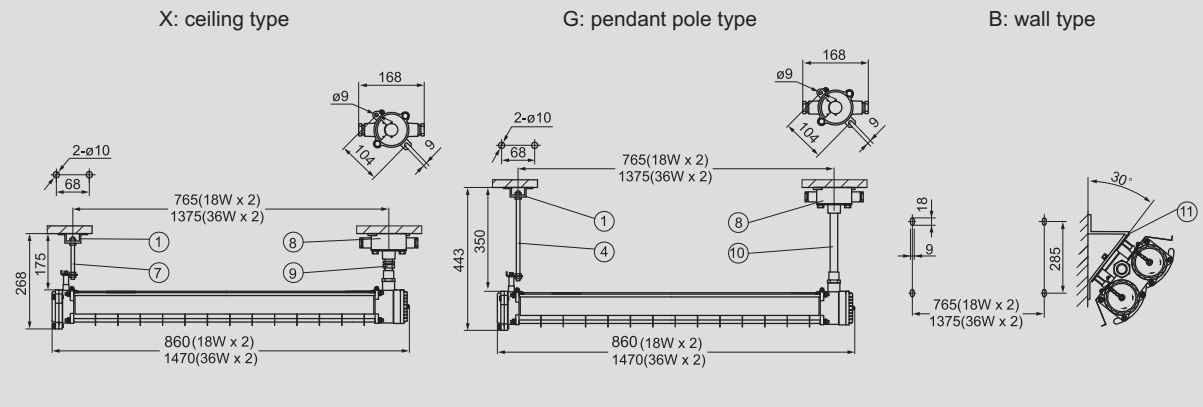
Light Fittings for Fluorescent Lamp

BAY52 Series Explosion-proof Light Fittings for Fluorescent Lamp

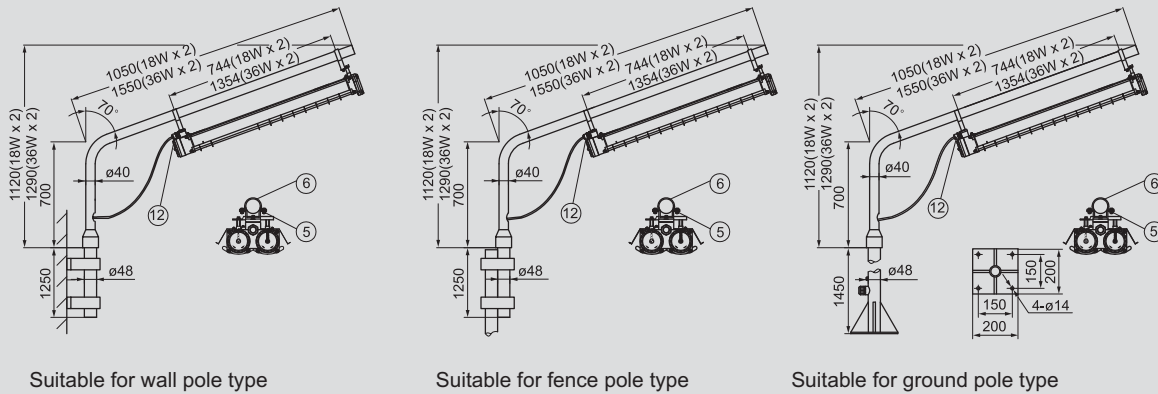
2

Mounting type for light fittings with dual lamp tube (all dimensions in mm) - subject to alteration

Installation reference



L: pole type (the pole is provided by user)



Mounting accessories and spare parts table (light fittings with dual lamp tube)

Supplied according to the mounting type

Mounting type	Accessories			Ordering code	Weight (kg)
	Name	Qty	Illustration		
X: ceiling type	①.Mounting bracket	1	Same as light fittings with single lamp	51S01G1	0.04
	⑦.M8 Screw	1	Length:150mm	52D01X1	0.08
	⑧.BHD51 Explosion-proof junction box	1	G3/4" (Ex e)	52D01X2	0.40
	⑨.BGJ-III Explosion-proof connector	1	G3/4" (M)/G3/4" (M)	See P7/8	0.28
G: pendant pole type	①.Mounting bracket	1	Same as light fittings with single lamp	51S01G1	0.04
	④.M8 Screw	1	Length: 350mm	51S01G2	0.12
	⑧.BHD51 Explosion-proof junction box	1	G3/4" (Ex e)	52D01X2	0.40
	⑩.Straight pipe (G3/4")	1	Length: 250mm	52D01G1	0.34
B: wall type	⑩.Wall bracket	2	Welded sheet steel	5236B01	0.60
L: pole type	⑤.Mounting bracket	2	Same as light fittings with single lamp	5136012	0.04
	⑥.G1 1/4" Pipe clamp	2	Same as light fittings with single lamp	5136014	0.04
	⑫.DQM-II Explosion-proof cable gland	1	M25 x 1.5	See P7/20	0.25

Note: Accessories not in the table shall be supplied by user.