

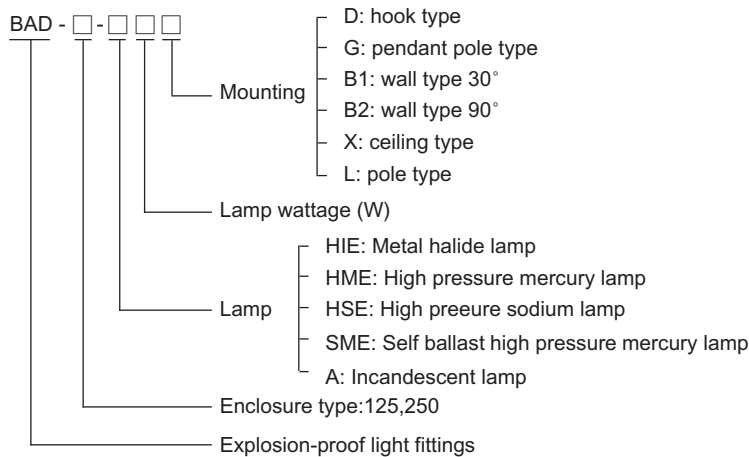


Pendant Light Fittings

BAD Series Explosion-proof Light Fittings

- ◆ Explosion protection to
 - CENELEC
 - IEC
- ◆ Can be used in
 - Zone 1 and Zone 2
- ◆ Available lamp:
 - Metal halide lamp (HIE)
 - High pressure mercury lamp (HME)
 - High pressure sodium lamp (HSE)
 - Self ballast high pressure mercury lamp (SME)
 - Incandescent lamp (A)
- ◆ Two enclosure types: 125, 250.
- ◆ Fast opening, easy maintenance.
- ◆ Powder coated wire guard, white.
- ◆ Toughened glass cover resistant to temperature changes.

Catalogue number logic



Selection table

Type/Ordering code	Available lamp wattage (W)					Lamp holder	Weight (kg)
	HIE	HME	SME	HSE	A		
BAD-125	70, 100, 150	80, 125	125, 160	70, 100	200	E27	5.20
BAD-250	175, 250	175, 250	250	150, 250	300	E40	6.10

Note

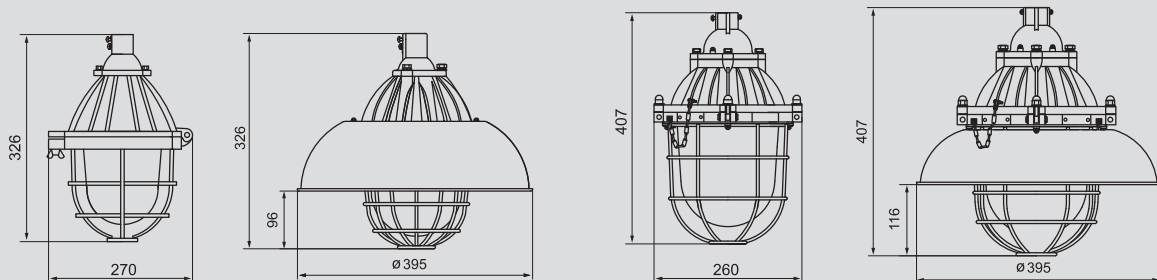
1. Mounting accessories are not supplied with light fittings. Please specify when ordering (See Mounting Accessories & Spare Parts Table on P2/44 – 45)
2. The light fittings are supplied without lamp. PHILIPS lamps are recommended.
3. BAZ51 explosion-proof ballast is optional. See P2/90.
4. The light fittings are supplied without external reflector. Please specify when ordering.

Zones 1&2

Technical data		
Explosion-proof light fittings	BAD-125-□□□	BAD-250-□□□
Explosion protection Gas explosion protection	⊕ II 2 G Ex d IIB T4	
Certificates For gas explosion protection	PTB 03 ATEX 1077; IECEx CQM 07.0010	PCEC (China)
Conformity to standards	EN 50014:1997+A1+A2, EN 50018:2000+A1 IEC 60079-0:2004, IEC 60079-1:2003	IEC 60079-0:2004, IEC 60079-1:2003
Material Enclosure	Copper-free aluminium, powder coated external surface, rape yellow (RAL1021)	
Wire guard	Powder coated carbon steel, white	
Transparent cover	Toughened glass, stands 4J impact	
Internal reflector	High-purity aluminium	
External reflector (optional)	Pure aluminium, anodicoxidation treatment for surface	
Exposed fastener	Stainless steel	
Lamp Lamp holder	E27	E40
Available lamp and lamp wattage (W)	HIE: 70W, 100W, 150W	HIE: 175W, 250W
	HME: 80W, 125W	HME: 175W, 250W
	SME: 125W, 160W	SME: 250W
	HSE: 70W, 100W	HSE: 150W, 250W
	A: 200W	A: 300W
Rated voltage	220~240V AC 50/60Hz	
Earthing protection	M5 (internal & external earth bolt)	
Degree of protection	IP65	
Ambient temperature	-20°C ~ +55°C	
Terminal	3 x 1.5~2.5mm ² (L+N+PE)	
Cable entries	G3/4" (NPT3/4" or M25 x 1.5 with reducer on request)	
Cable gland	See Mounting Accessories and Spare Parts Table	
Available cable outer diameter	Ø10~Ø14 (mm)	



Dimension drawings (all dimensions in mm) - subject to alteration



BAD-125

BAD-125 with external reflector

BAD-250

BAD-250 with external reflector

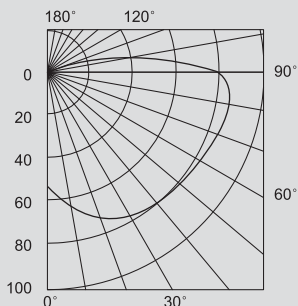
Pendant Light Fittings BAD Series Explosion-proof Light Fittings

Photometric data (BAD-125)



Photometric data of 100W high pressure sodium lamp

Rated luminous flux:9000lm;
The data from PHILIPS lamp;
Luminous intensity distribution cd/1000lm



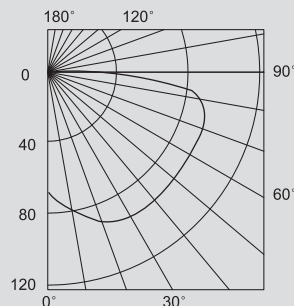
70W High pressure sodium lamp*0.67
70W Metal halide lamp*0.56
80W High pressure mercury lamp*0.41
100W Metal halide lamp*0.94
125W High pressure mercury lamp*0.68
150W Metal halide lamp*1.66

Angle	CP	Angle	CP	Angle	CP
0	480	60	662	120	32
5	476	65	707	125	28
10	543	70	746	130	24
15	584	75	839	135	21
20	578	80	855	140	19
25	621	85	833	145	17
30	622	90	735	150	15
35	593	95	588	155	13
40	514	100	407	160	0
45	555	105	236	165	0
50	616	110	85	170	0
55	611	115	38	175	0
				180	0



Photometric data of 100W high pressure sodium lamp (with wide reflector)

Rated luminous flux:9000lm;
The data from PHILIPS lamp;
Luminous intensity distribution cd/1000lm



70W High pressure sodium lamp*0.67
70W Metal halide lamp*0.56
80W High pressure mercury lamp*0.41
100W Metal halide lamp*0.94
125W High pressure mercury lamp*0.68
150W Metal halide lamp*1.66

Angle	CP	Angle	CP	Angle	CP
0	614	60	788	120	9
5	669	65	819	125	0
10	623	70	844	130	0
15	737	75	902	135	0
20	820	80	902	140	0
25	908	85	585	145	0
30	868	90	215	150	0
35	849	95	44	155	0
40	785	100	31	160	0
45	726	105	23	165	0
50	796	110	15	170	0
55	781	115	11	175	0
				180	0



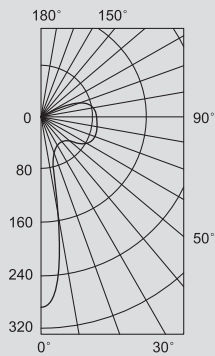
We can provide lighting design and data by professional lighting software DIALUX based upon simulated site situation on request.

Photometric data (BAD-250)



Photometric data of 175W metal halide lamp

Rated luminous flux:14000lm;
The data from PHILIPS lamp;
Luminous intensity distribution cd/1000lm



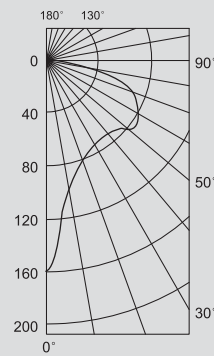
150W High pressure sodium lamp*1.07
250W High pressure sodium lamp* 2
250W Metal halide lamp*1.64
175W High pressure mercury lamp*0.53
250W High pressure mercury lamp*0.91

Angle	CP	Angle	CP	Angle	CP
0	3823	60	1380	120	412
5	2631	65	1483	125	93
10	1633	70	1414	130	67
15	761	75	1312	135	54
20	697	80	1204	140	42
25	754	85	1356	145	35
30	808	90	1413	150	28
35	883	95	1401	155	22
40	945	100	1389	160	19
45	812	105	1358	165	15
50	1083	110	1304	170	0
55	1285	115	1002	175	0
				180	0



Photometric data of 175W metal halide lamp
(with wide reflector)

Rated luminous flux:14000lm;
The data from PHILIPS lamp;
Luminous intensity distribution cd/1000lm



150W High pressure sodium lamp*1.07
250W High pressure sodium lamp* 2
250W Metal halide lamp*1.64
175W High pressure mercury lamp*0.53
250W High pressure mercury lamp*0.91

Angle	CP	Angle	CP	Angle	CP
0	2277	60	1174	120	12
5	1818	65	1097	125	8
10	1460	70	1017	130	0
15	1319	75	757	135	0
20	1229	80	280	140	0
25	1170	85	142	145	0
30	1153	90	56	150	0
35	1095	95	45	155	0
40	1007	100	45	160	0
45	1081	105	49	165	0
50	1255	110	151	170	0
55	1358	115	119	175	0
				180	0

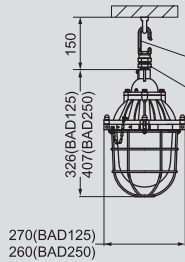


We can provide lighting design and data by professional lighting software DIALUX based upon simulated site situation on request.

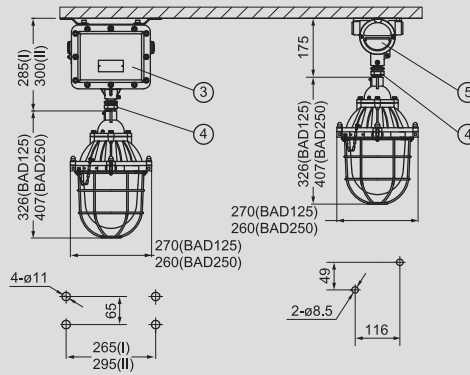
Mounting type (all dimensions in mm) - subject to alteration

Installation reference

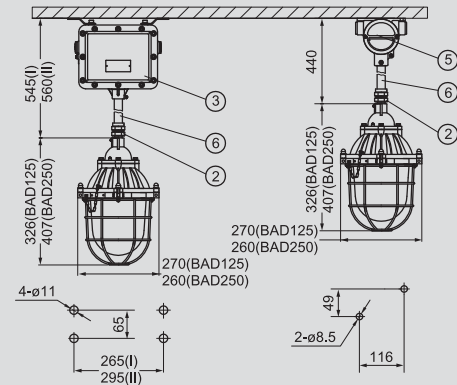
D: hook type



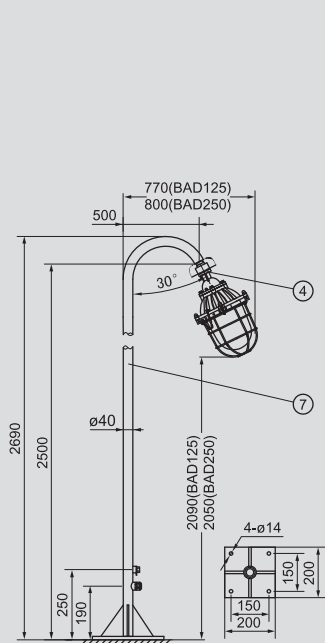
X: ceiling type



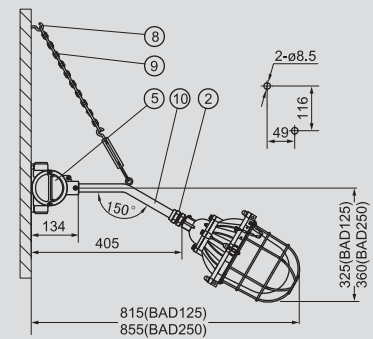
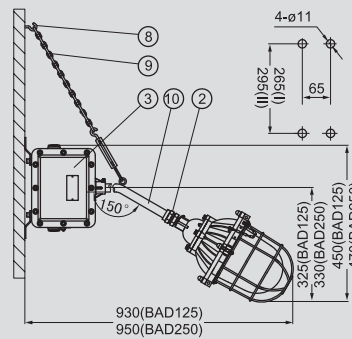
G: pendant pole type



L: pole type



B1: wall type 30°



B2: wall type 90°

